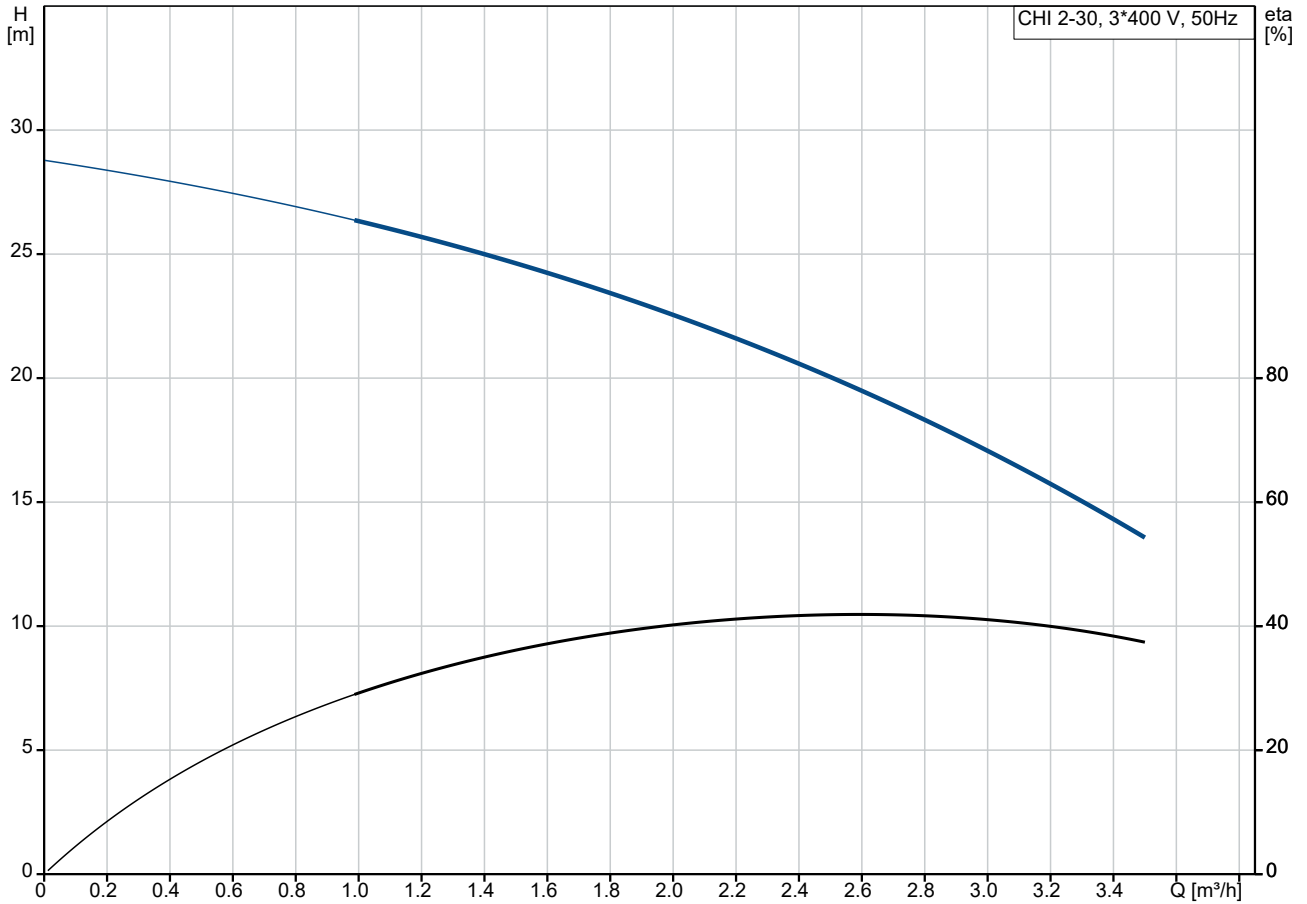
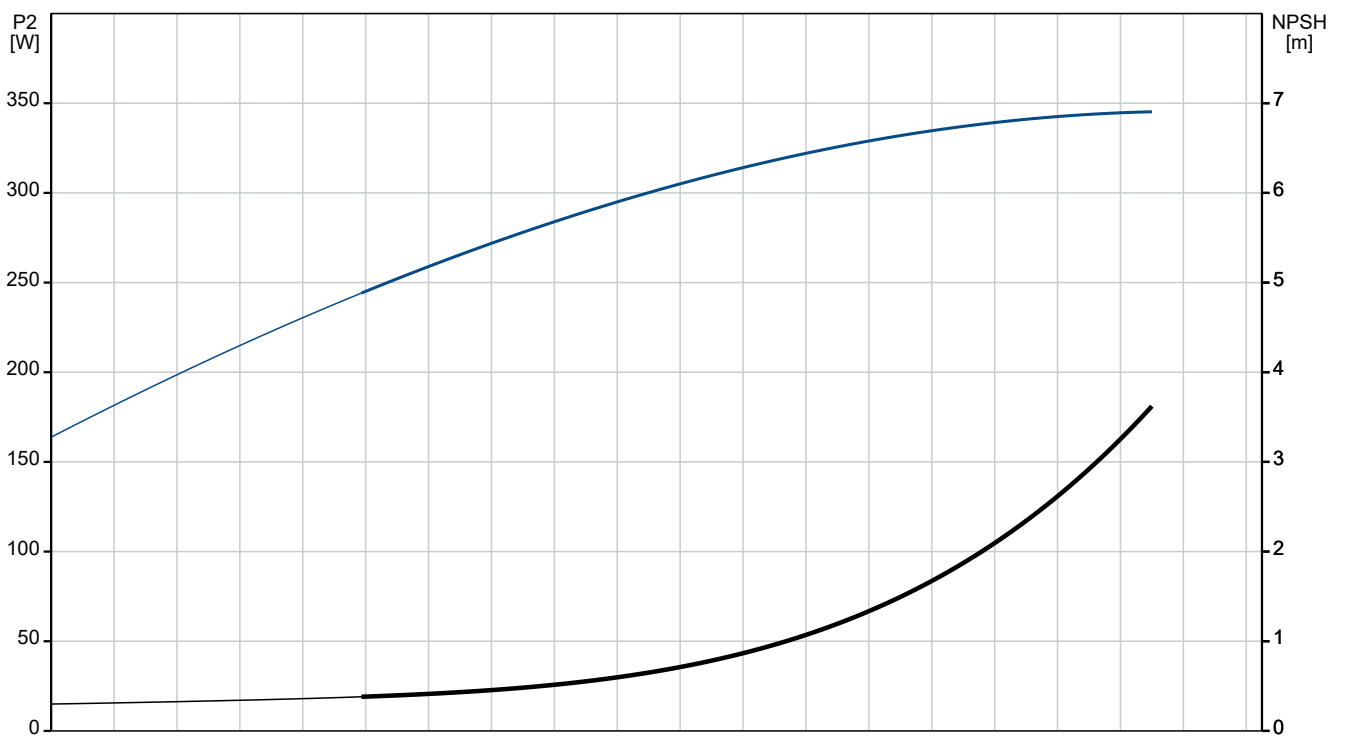


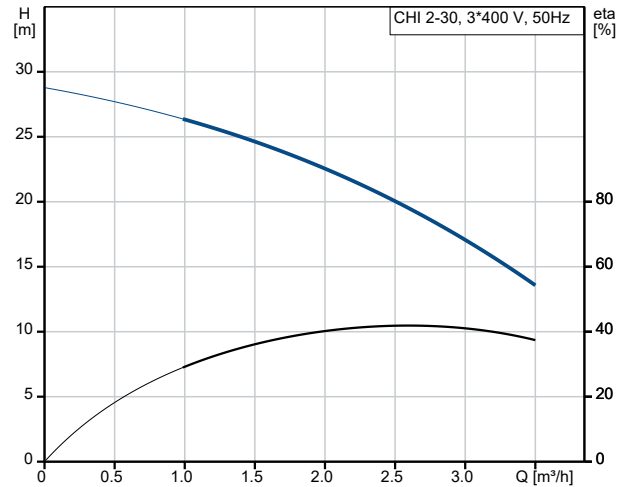
4H508003 CHI 2-30 A-W-G 50 Hz



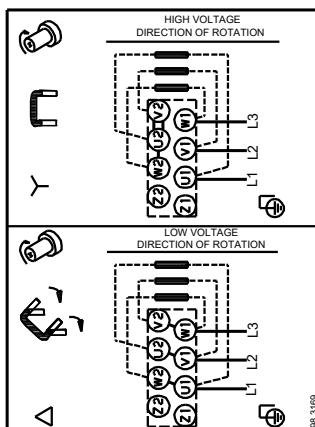
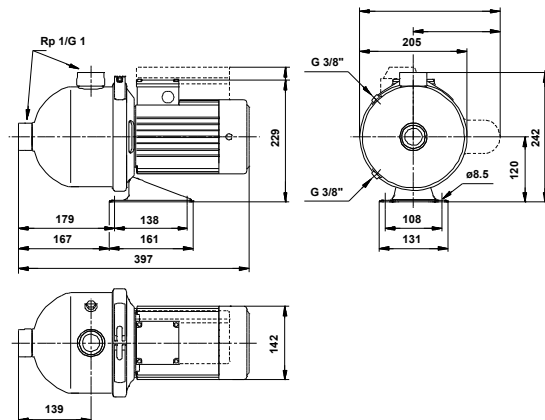
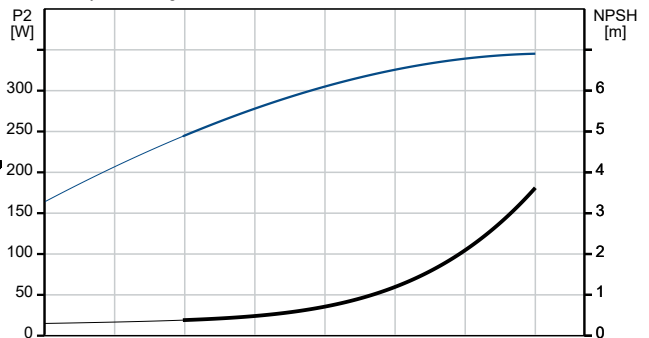
Pumped liquid = Water
 Liquid temperature during operation = 20 °C
 Density = 998.2 kg/m³



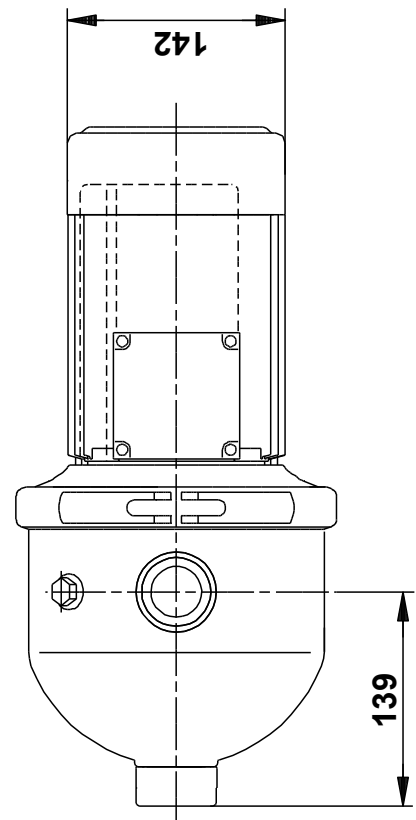
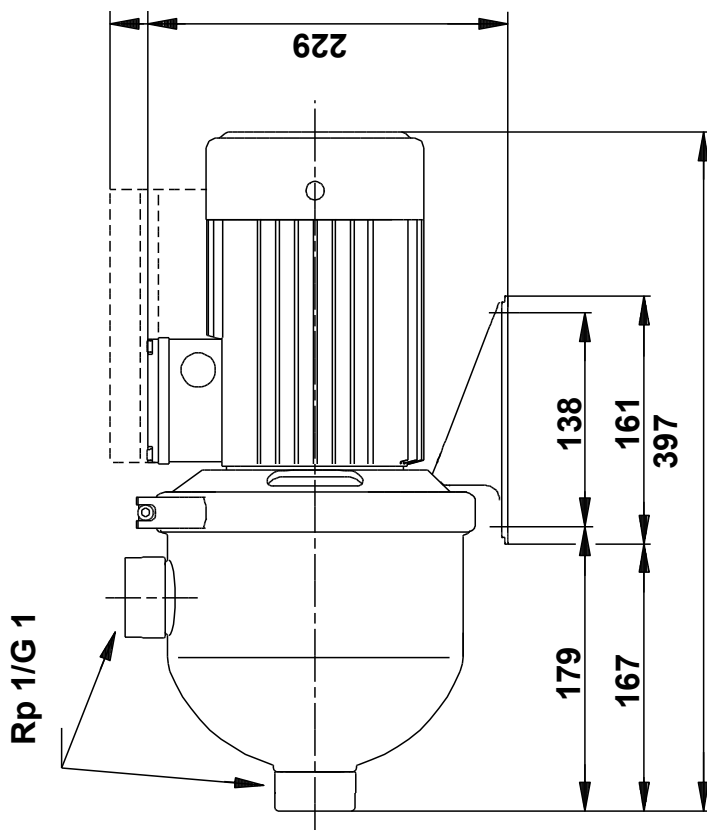
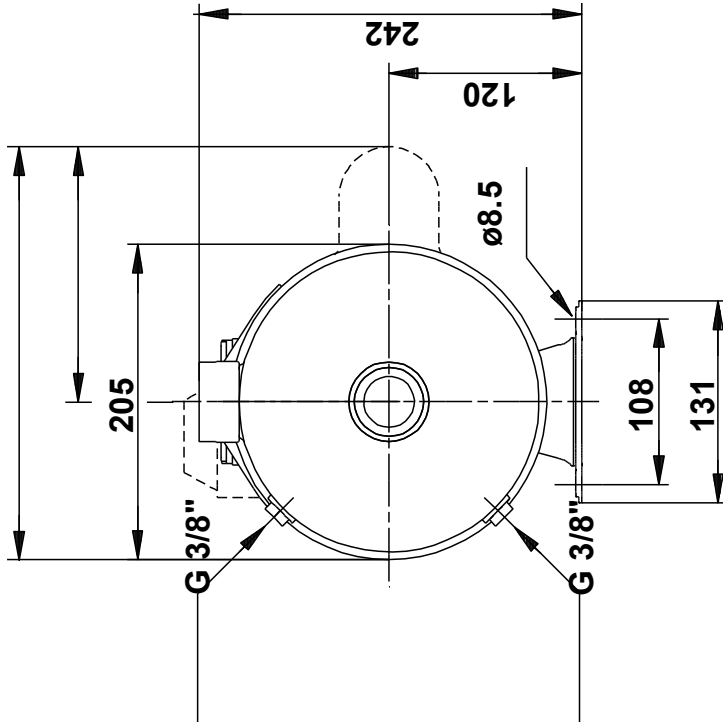
Description	Value
General information:	
Product name:	CHI 2-30 A-W-G
Product No:	4H508003
EAN number:	5708601032455
Price:	
Technical:	
Rated flow:	2.5 m ³ /h
Rated head:	19 m
Max. head:	28 m
Impeller 90 mm:	3
Pump version:	A
Model:	C
Materials:	
Pump housing:	Stainless steel
	DIN W.-Nr. 1.4401
	AISI 316
Impeller:	Stainless steel
	DIN W.-Nr. 1.4401
	AISI 316
Material code:	G
Installation:	
Range of ambient temperature:	-15 .. 40 °C
Maximum operating pressure:	10 bar
Max pressure at stated temp:	10 bar / 110 °C
Pipe connection:	Rp 1/G 1
Connect code:	W
Liquid:	
Pumped liquid:	Water
Liquid temperature range:	-20 .. 120 °C
Selected liquid temperature:	20 °C
Density:	998.2 kg/m ³
Electrical data:	
Power input - P1:	480 W
P2:	350 W
Mains frequency:	50 Hz
Rated voltage:	3 x 220-240D/380-415 Y V
Rated current:	1.7/1.0 A
Enclosure class (IEC 34-5):	IP55
Insulation class (IEC 85):	F
Built-in motor protection:	NONE
Thermal protec:	external
Others:	
Net weight:	9.9 kg
Gross weight:	12.3 kg
Shipping volume:	0.054 m ³



Pumped liquid = Water
 Liquid temperature during operation = 20 °C
 Density = 998.2 kg/m³



4H508003 CHI 2-30 A-W-G 50 Hz



Note! All units are in [mm] unless others are stated.
Disclaimer: This simplified dimensional drawing does not show all details.